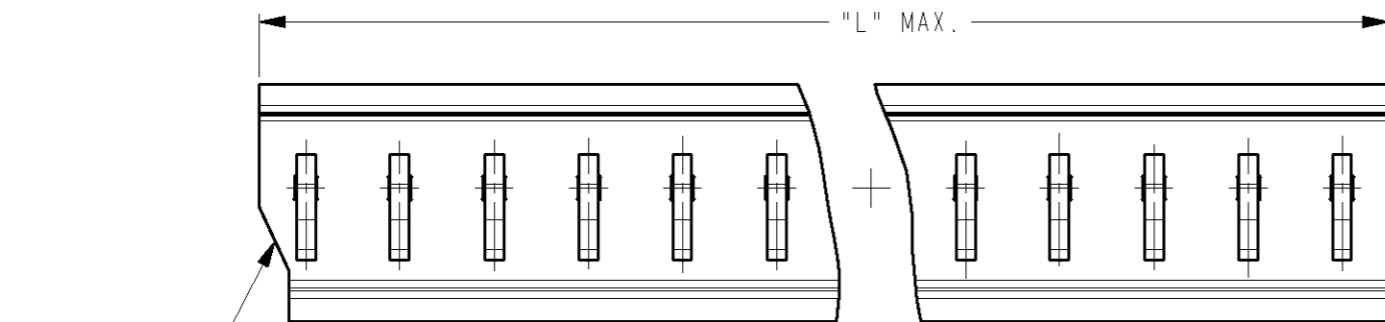
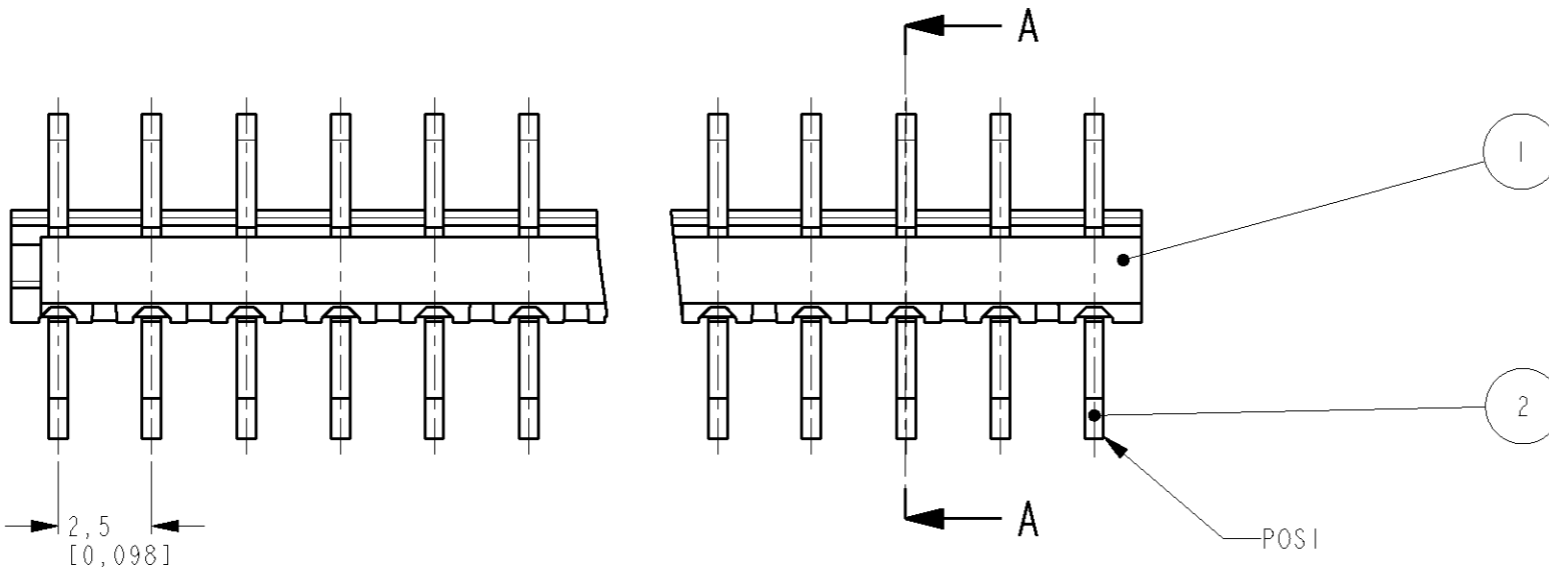


THIS DRAWING IS UNPUBLISHED. RELEASED FOR PUBLICATION
 © COPYRIGHT - BY TYCO ELECTRONICS CORPORATION. ALL RIGHTS RESERVED.

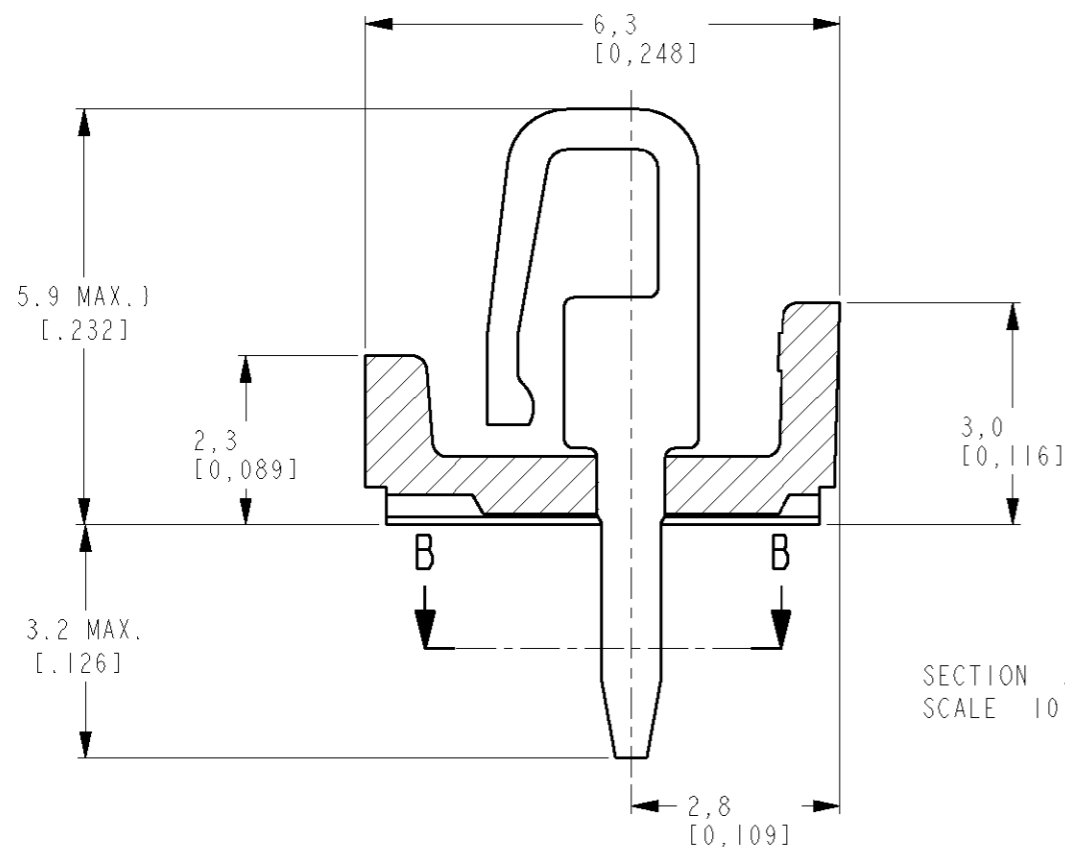
LOC	DIST	REVISIONS					
H	-	P	LTR	DESCRIPTION	DATE	DWN	APVD
			A	ECN EH10 0344 05	09 MAR 05	MG	MG



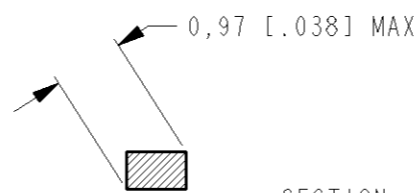
OPTIONAL



PARTNUMBER	POS	"L" MAX	
		MM	INCH
0-5164713-3	3	7.5	.295
0-5164713-4	4	10.0	.394
0-5164713-5	5	12.5	.492
0-5164713-6	6	15.0	.591
0-5164713-7	7	17.5	.689
0-5164713-8	8	20.0	.787
0-5164713-9	9	22.5	.886
1-5164713-0	10	25.0	.984
1-5164713-1	11	27.5	1.083
1-5164713-2	12	30.0	1.181
1-5164713-3	13	32.5	1.280
1-5164713-4	14	35.0	1.378
1-5164713-5	15	37.5	1.476
1-5164713-6	16	40.0	1.575
1-5164713-7	17	42.5	1.673
1-5164713-8	18	45.0	1.772
1-5164713-9	19	47.5	1.870
2-5164713-0	20	50.0	1.969



SECTION A-A
SCALE 10:1



SECTION B-B
SCALE 10:1

THIS DRAWING IS A CONTROLLED DOCUMENT FOR TYCO ELECTRONICS CORPORATION
 IT IS SUBJECT TO CHANGE AND THE CONTROLLING ENGINEERING ORGANIZATION
 SHOULD BE CONTACTED FOR THE LATEST REVISION.

DIMENSIONS: mm (inch)		TOLERANCES UNLESS OTHERWISE SPECIFIED:	
		0 PLC	±
		1 PLC	±
		2 PLC	±
		3 PLC	±
		4 PLC	±
MATERIAL		FINISH	

2	CONTACT	BRASS	TIN OVER NICKEL
1	HOUSING	PBT 20% GF, COLOR GREEN	
ITEM NO.	DESCRIPTION	MATERIAL	FINISH
DWN M. GOSSELINK	09 MAR 05	TYCO ELECTRONICS NEDERLAND B.V. 's-HERTOGENBOSCH, THE NETHERLANDS	
CHK M. GOSSELINK	-	NAME MINI-MATCH CONNECTOR ASS'Y 3-20 POS 2.5 MM PITCH	
APVD F. IJLJENS	-	PRODUCT SPEC 108-19027	
APPLICATION SPEC		RESTRICTED TO	
WEIGHT	-	SIZE A3	CAGE CODE 00779
CUSTOMER DRAWING		DRAWING NO C-5164713	REV A
SCALE 5:1		SHEET 1 OF 1	